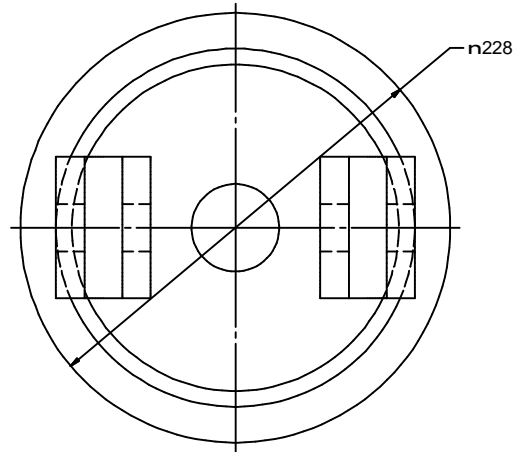
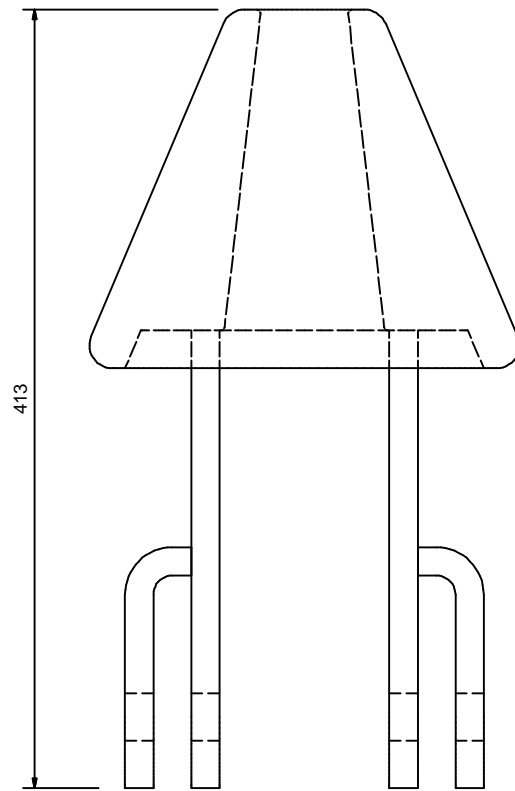


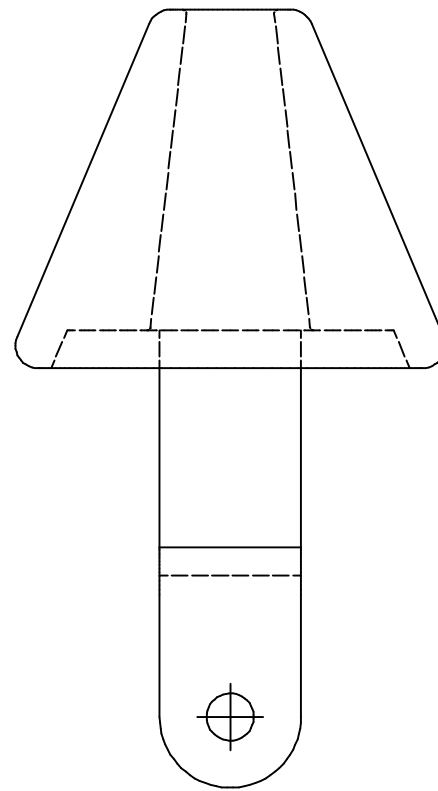
PART LIST *PART DESCRIPTION COLUMN CONTAINS INFO OF WHAT TYPE OF BOLT, BEAM ETC. (OR THE NEPTUN SUBSEA PART NUMBER)						
POS	QT	DESCRIPTION	PART DESCRIPTION*	MATERIAL	TOT. MASS	COMMENTS
1	1	Cone	5900-002	S355J2G3	2,974 kg	
2	1	Arm	5900-003	S355J2G3	0,256 kg	
3	1	Arm	5900-004	S355J2G3	0,141 kg	



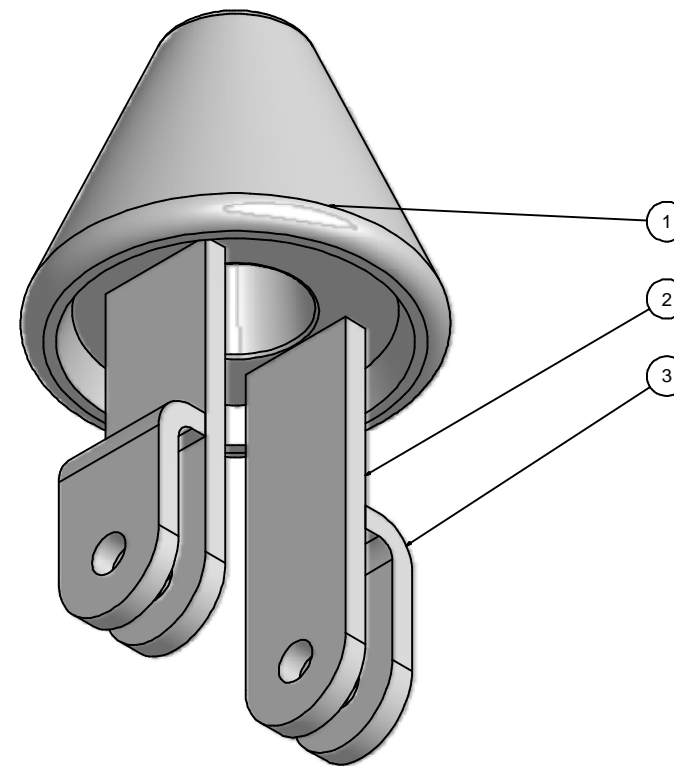
VIEW2 (1 : 4)




VIEW1 (1 : 4)



VIEW3 (1 : 4)



VIEW4 (1 : 4)

REFERENCE DRAWINGS				
Ref. No.	Doc. No.	DESCRIPTION	TOT. MASS	
01	5000-000	TMS		
Rev	Date	Revision Description	Rev By	Chk'd Approved Engin Project
01	23.04.09	ISSUED FOR CONSTRUCTION	TF	AL MJ
SUPPLIER		 <p>This drawing is the property of Neptun Subsea, and may not be used, reproduced, published or disclosed to others, without written authorization.</p>		
PROJECT		TOLERANCE IF NOT SPECIFIED:	PROJ. TYPE	
ASTRIX 004		NS ISO 2768-1 Medium.	E	
TITLE				
TMS LIFTING CONE ASSEMBLY				
SIZE	SCALE	PROJECT No.	DOC. No.	REV. SHEET. No.
A3	1:4	P 302	5900-001	01 1 OF 1