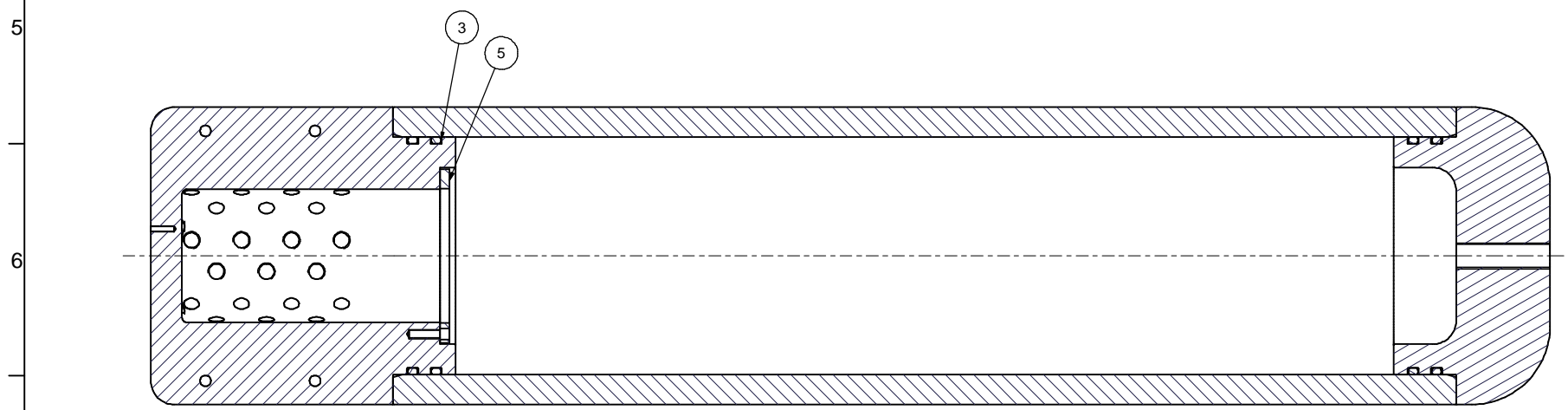
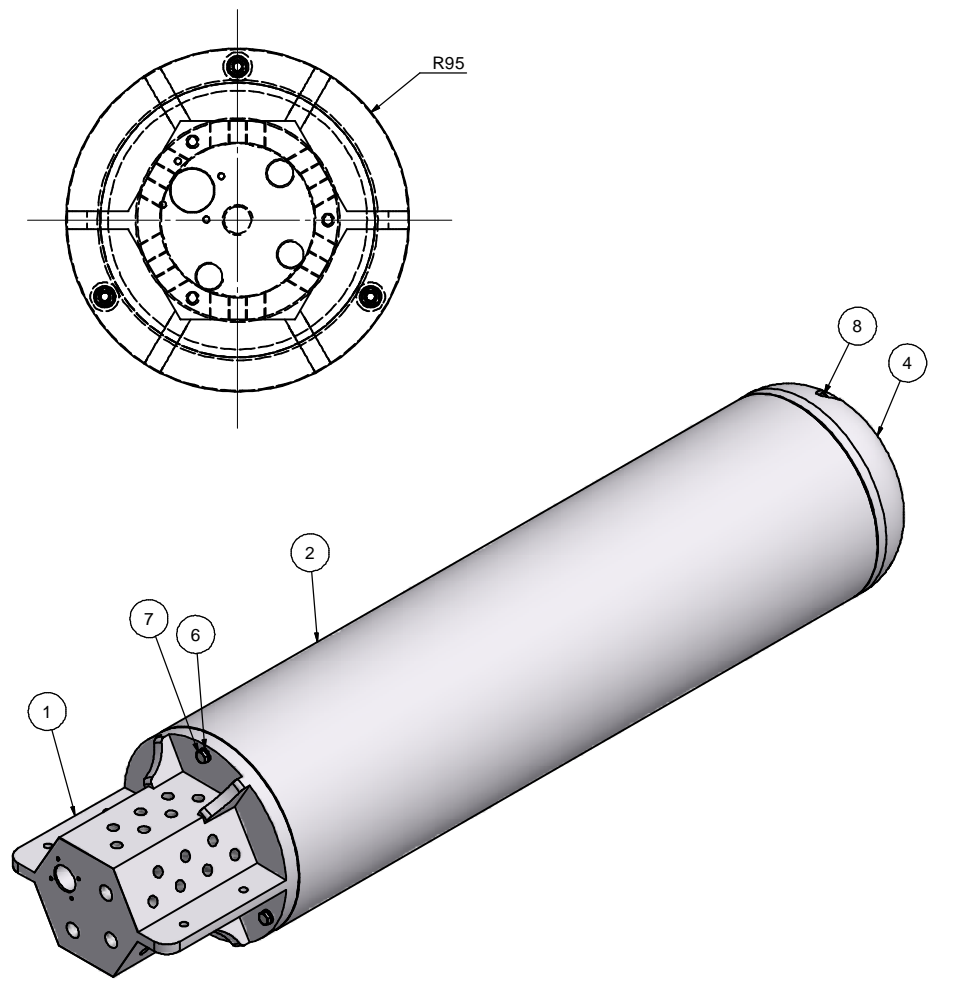


VIEW1 (1:2)

POS	QTY	DESCRIPTION	PART DESCRIPTION*	MATERIAL	TOT. MASS	COMMENTS
1	1	Round Bar Ø190	6410-001	Aluminium-6082-T6	4,355 kg	
2	1	Tube Ø190x150	6410-002	Aluminium-6082-T6	18,741 kg	
3	4	O-ring 140x5.5	6410-003	NBR ,70 Shore A	0,041 kg	
4	1	Round Bar Ø190	6410-004	Aluminium-6082-T6	4,638 kg	
5	1	PLT. 6	6410-005	SS AISI 316L	0,182 kg	
6	6	Washer	DIN 125 - A 6,4	A4	0,006 kg	
7	3	Hex-Head Bolt	DIN 933 - M6 x 35	A4	0,031 kg	
8	3	Cylinder Head Cap Screw	DIN 912 - M6 x 45	A4	0,039 kg	



A-A (1:2)

REFERENCE DRAWINGS					
Ref. No.	Doc. No.	DESCRIPTION	TOT. MASS		
01	6000-000	ROV			
Rev	Date	Revision Description	Rev By	Chk'd Engin	Approved Project
01	02.10.08	ISSUED FOR CONSTRUCTION	BLH	AL	TGA
SUPPLIER					
PROJECT					
ASTRIX 004					
TITLE					
BOTTLE FOR CONTROL SYSTEM ASSEMBLY					
SIZE	SCALE	PROJECT No.	DOC. No.	REV.	SHEET. No.
A1	NTS	P 302	6410-000	01	1 OF 1

AutoDesk Inventor