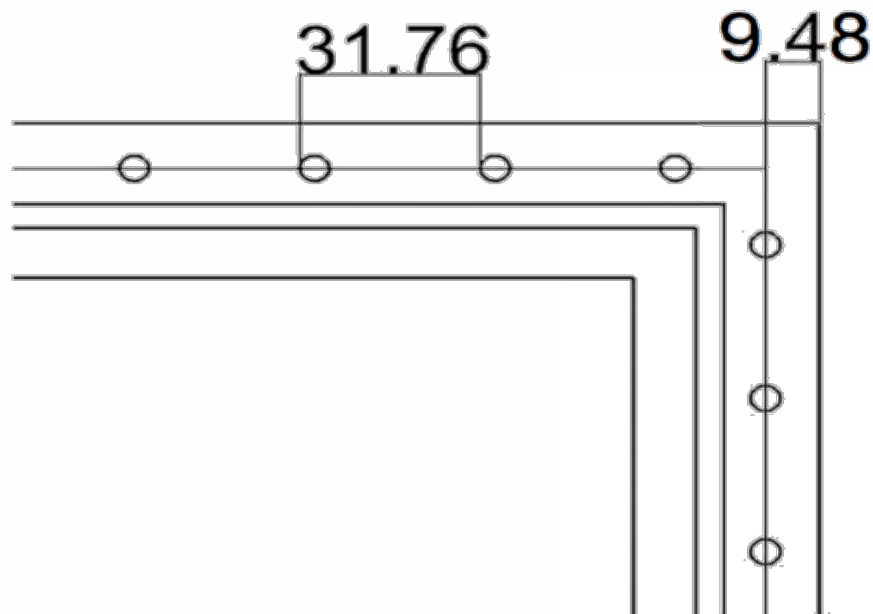
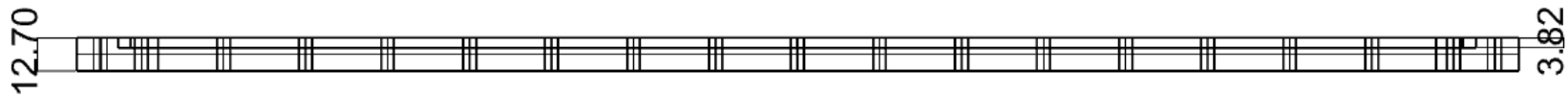
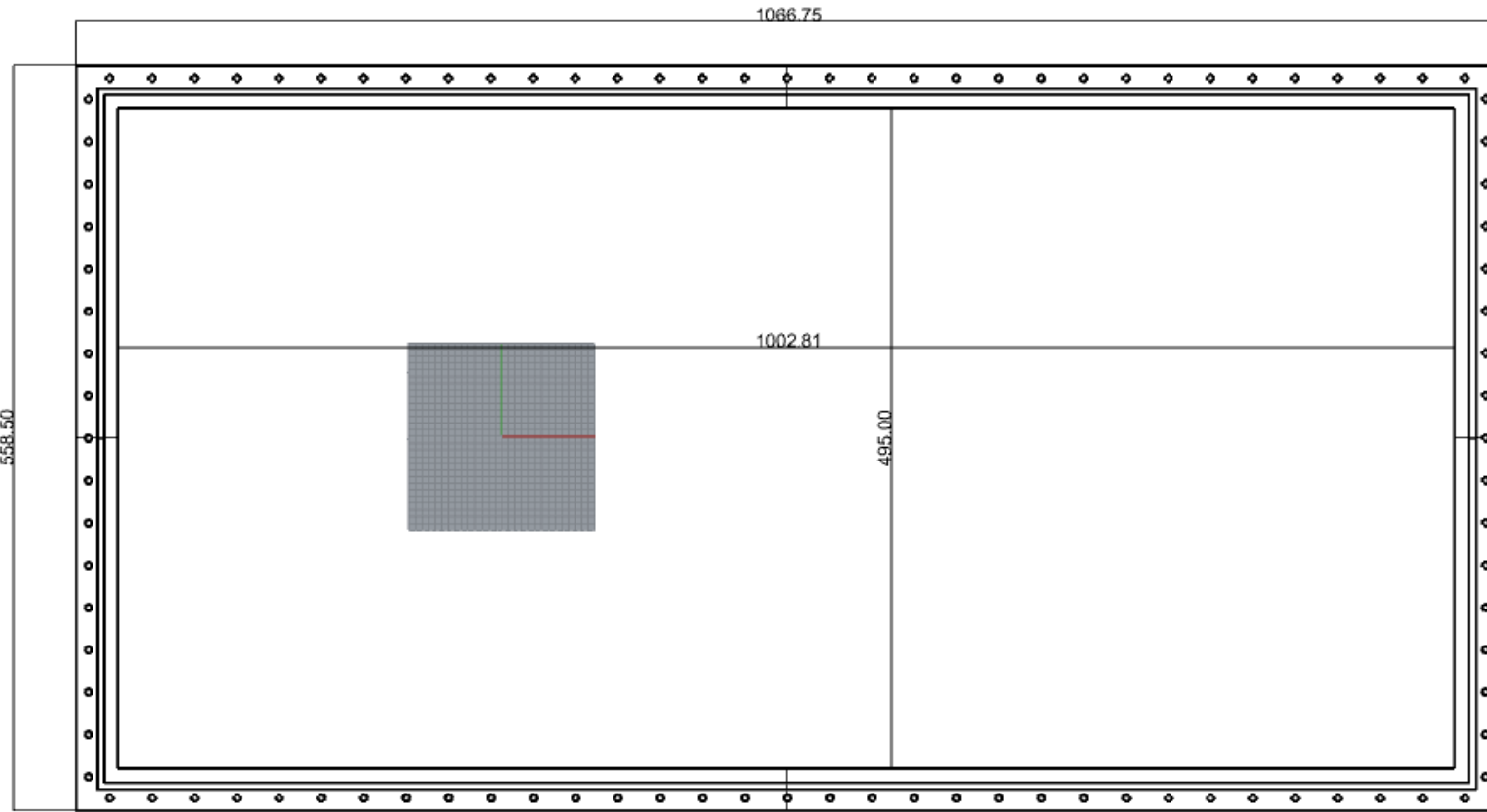


Alu 6061-T6 flange, 1/2in thickness,  
o-ring groove, 5.25mm thru holes  
any radius in corner are OK.

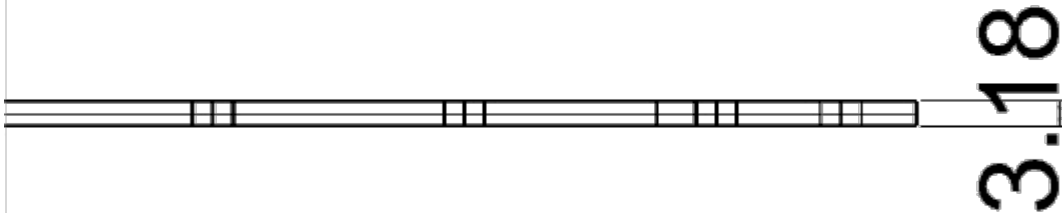
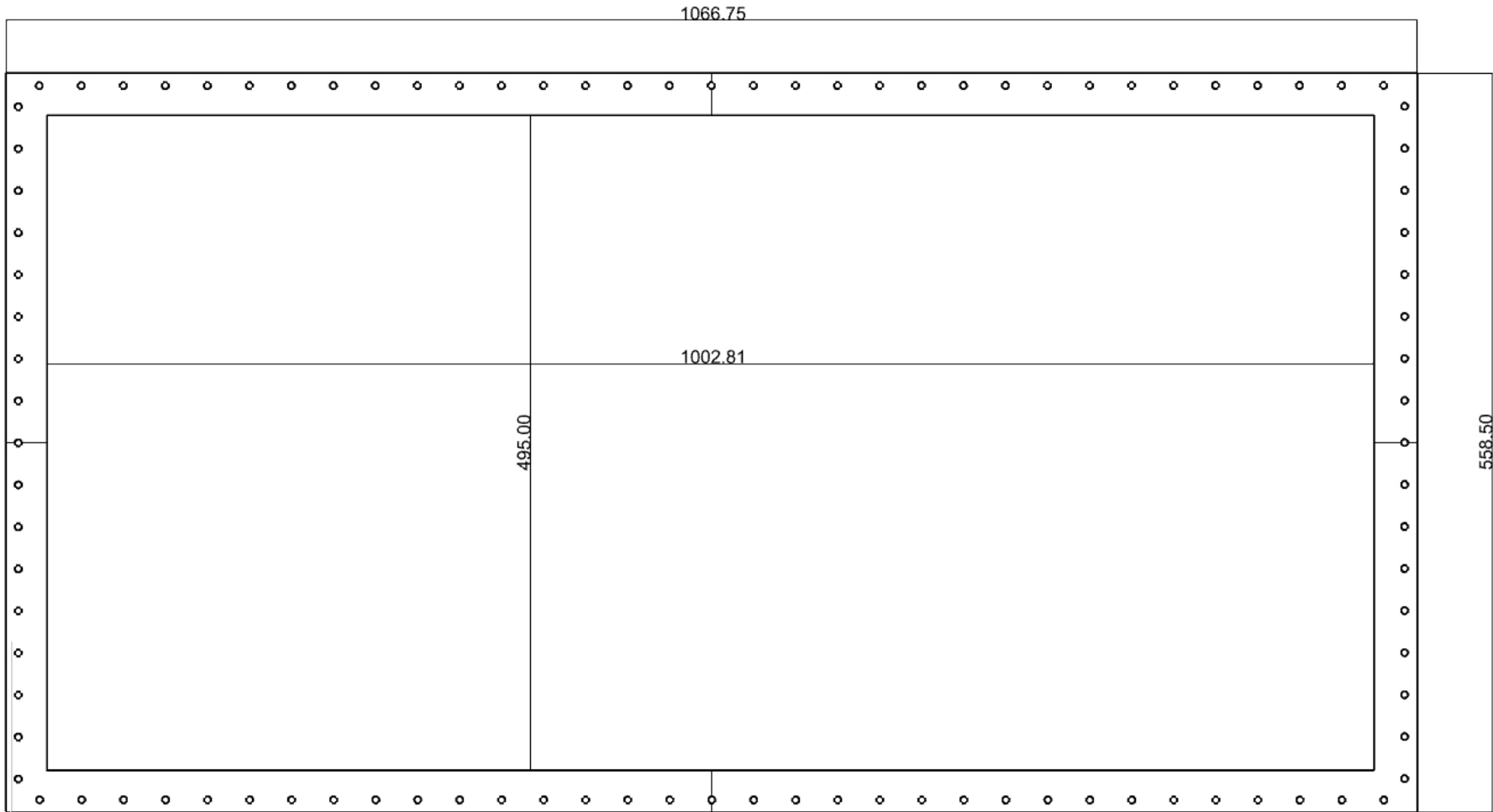
Overall dimension on page 2  
Units in milimeter.





Alu 6061-T6 flange, 1/2in thickness  
 o-ring groove, 5.25mm thru holes  
 any radius in corner are OK.

Details on page 1  
 Units in millimeter



SS 316 flange, 1/8in thickness  
plain flange, 5.25mm thru holes  
as in above ALU flange  
Units in millimeter