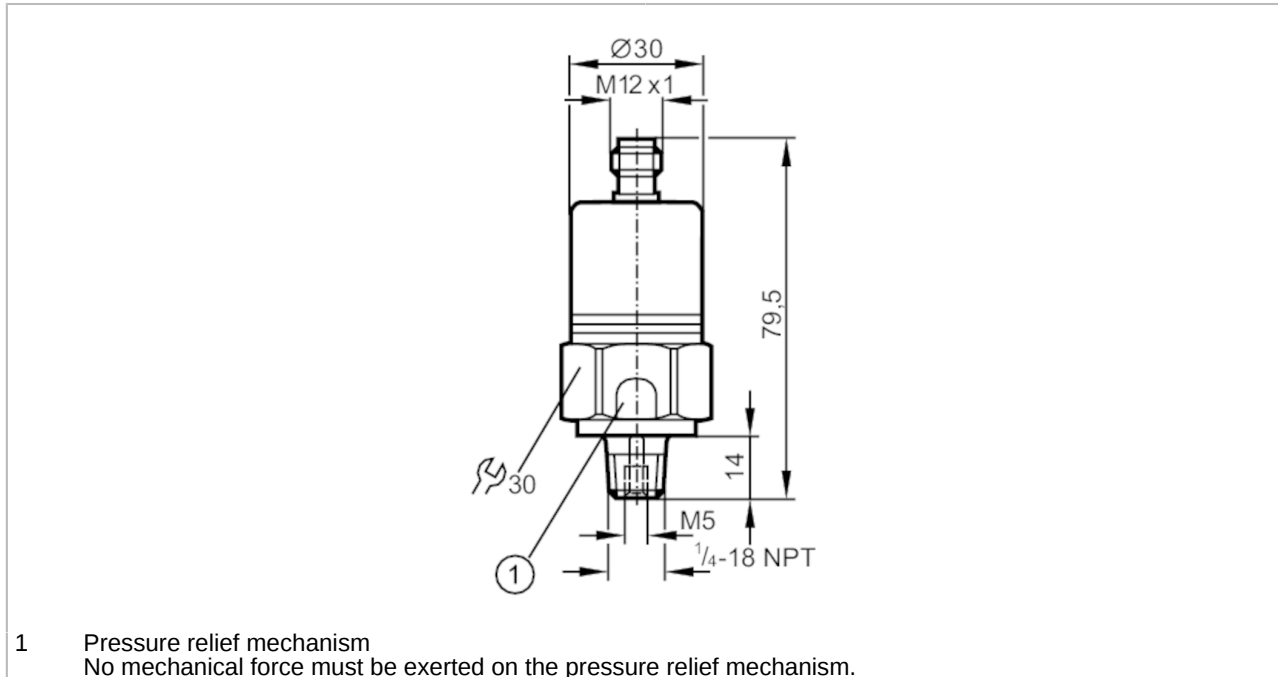


PX3220



Pressure transmitter with ceramic measuring cell

PA-500PSBN14-A-ZVG/US/ IV



Product characteristics	
Output signal	analog signal
Measuring range [psi]	0...5000
Process connection	threaded connection 1/4 NPT external thread Internal thread M5
Application	
System	gold-plated contacts
Application	for industrial applications
Media	liquids and gases
Conditionally suitable for	For gaseous media the application is limited to max. 25 bar.
Medium temperature [°C]	-25...90
Pressure rating [psi]	11600
Min. bursting pressure [psi]	17400
Type of pressure	relative pressure
Electrical data	
Operating voltage [V]	9.6...32 DC
Min. insulation resistance [MΩ]	100; (500 V DC)
Protection class	III
Reverse polarity protection	yes
Inputs / outputs	
Number of inputs and outputs	Number of analog outputs: 1

PX3220



Pressure transmitter with ceramic measuring cell

PA-500PSBN14-A-ZVG/US/ IV

Outputs			
Total number of outputs		1	
Output signal		analog signal	
Number of analog outputs		1	
Analog current output	[mA]	4...20	
Max. load	[Ω]	720; (U _b = 24 V; (U _b - 9,6 V) / 20 mA)	
Overload protection		yes	
Measuring/setting range			
Measuring range	[psi]	0...5000	
Accuracy / deviations			
Repeatability	[% of the span]	< 0,15; (with temperature fluctuations < 10 K)	
Characteristics deviation	[% of the span]	< ± 0,35 (BFSL) / < ± 0,75 (LS); (BFSL = Best Fit Straight Line; LS = limit value setting)	
Long-term stability	[% of the span]	< ± 0,05; (per 6 months)	
Temperature coefficient zero point	[% of the span / 10 K]	0,3; (0...80 °C)	
Temperature coefficient span	[% of the span / 10 K]	0,4; (0...80 °C)	
Reaction times			
Step response time analogue output	[ms]	3	
Operating conditions			
Ambient temperature	[°C]	-25...80	
Storage temperature	[°C]	-40...100	
Protection		IP 68; IP 69K	
Tests / approvals			
EMC	EN 61000-4-2 ESD	4 kV CD / 8 kV AD	
	EN 61000-4-3 HF radiated	30 V/m	
	EN 61000-4-4 Burst	2 kV	
	EN 61000-4-6 HF conducted	10 V	
	radiation of interference	according to the automotive directive 2004/104/EC / CISPR 25	
	noise immunity	according to the automotive directive 2004/104/EC / ISO 11452-2	
	HF radiated	100 V/m	
	pulse resistance	ISO 7637-2 / severity level 3	
	Shock resistance	DIN IEC 68-2-27	50 g (11 ms)
	Vibration resistance	DIN IEC 68-2-6	20 g (10...2000 Hz)
MTTF	[years]	555	
Pressure equipment directive		sound engineering practice; can be used for group 2 fluids; group 1 fluids on request	

PX3220



Pressure transmitter with ceramic measuring cell

PA-500PSBN14-A-ZVG/US/ IV

Mechanical data

Weight	[g]	207.5
Material		stainless steel (1.4404 / 316L); FKM; PA; EPDM/X
Materials (wetted parts)		stainless steel (1.4305 / 303); ceramics; FKM
Min. pressure cycles		100 million
Process connection		threaded connection 1/4 NPT external thread Internal threadM5
Restrictor element integrated		yes

Remarks

Pack quantity		1 pcs.
---------------	--	--------

Electrical connection

Connector: 1 x M12; Contacts: gold-plated



Connection

