

8 7 6 5 4 3 2 1

D

C

B

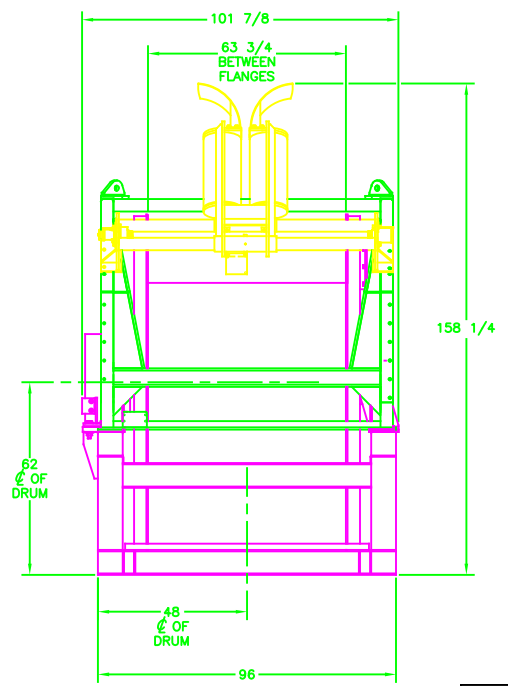
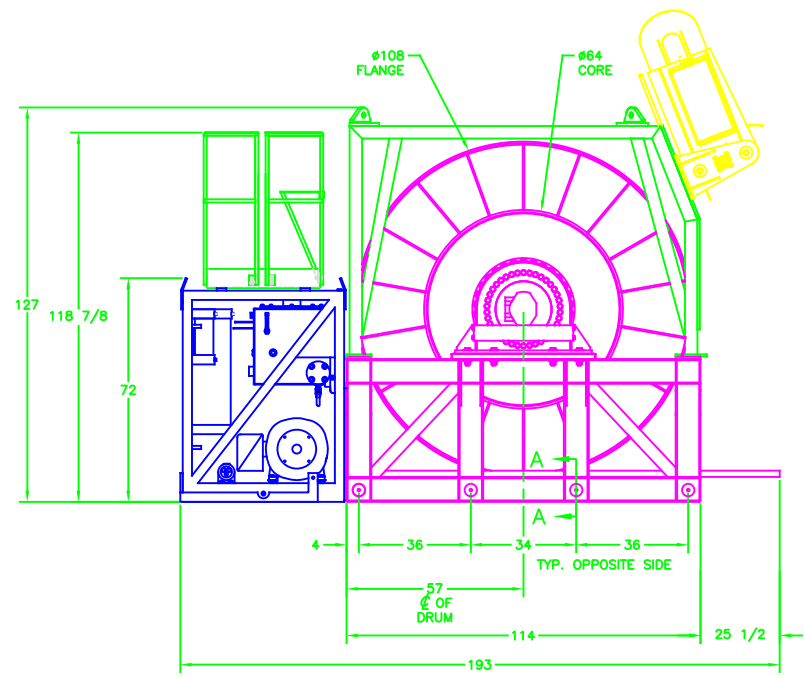
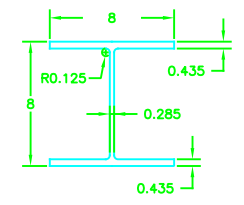
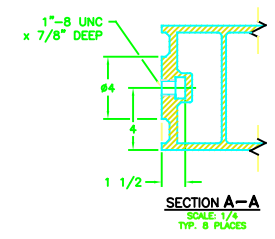
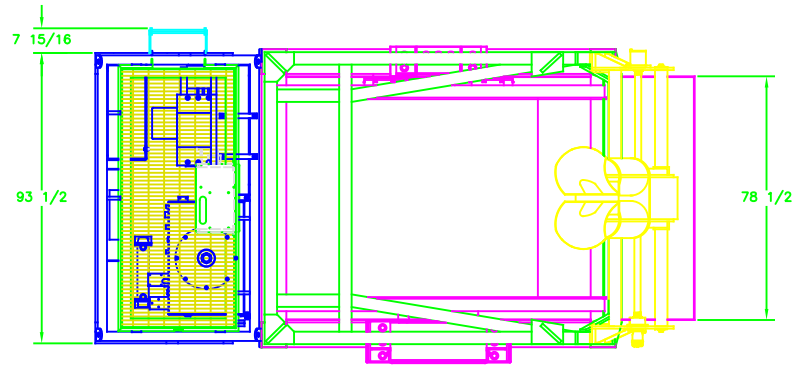
A

D

C

B

A



UNLESS OTHERWISE SPECIFIED: DIMENSIONS ARE IN INCHES. TOLERANCES ARE: FRACTIONS DECIMALS ANGLES ± 1/16 .XX ± .02 ± 1/2 .XXX ± .005		CUSTOMER P.O. NO. (DYNACON JOB NO.)	DATE	THIS DRAWING IS THE PROPERTY OF D DYNACON, INC. 831 INDUSTRIAL BLVD. DRYDEN, TEXAS USA 77803	ANY REPRODUCTION OR USE OF THIS DESIGN IS EXPRESSLY FORBIDDEN UNLESS AUTHORIZED IN WRITING.
APPROVALS	DATE	MODEL 521 GENERAL ARRANGEMENT			
DRAWN AL	04/21/97				
DRAFTING CHECK JLL	05/02/97				
ENGINEERING CHECK WHB	05/02/97				
FINISH 125	APPROX. WEIGHT, LBS 24,000	SIZE D	LOGS CODE OFSDO	DWG NO. M521-1000-01	REV -
DO NOT SCALE DRAWING		SCALE 1/20	PWIN J:\M521\WINCH\100001		SHEET 1 OF 1
		02/18/98		08-03	

8 7 6 5 4 3 2 1