

FOR SALE

INDUSTRIAL VACUUM LOADER TRUCK: 2010 Gapvax HV-56 industrial vacuum loader, sn HV56-0642-10, 15 cubic yard debris tank and 55-0 gal. water tank, wet/dry filtration 6 cyclones with 40 filter bags, Easy Decon cyclones, with hydro excavation package, mounted on a 2010 Peterbilt 367 chassis, vin 1NPTX4TX6AD110191, Cummins 485 HP ISX engine 2100, Allison 4500 RDS automatic trans. 6 speed, toolboxes mounted on truck, with hydraulic boom telescopic, 8' power extension 16' to 22' reach from center of truck. Many other options. This is a very clean unit and Ready to go to work! Contact us today!!

ASKING PRICE: \$375,000 ---- UNIT is Located in Cedar Rapids, Iowa

Contact: 319-235-6007, Hilpipe Auction Co., Waterloo, Iowa – www.hilpipe.com

QTY	DESCRIPTION
1	2010 PETERBILT 367 CHASSIS (VIN NO. : 1NPTX4TX6AD110191) <ul style="list-style-type: none">• 485 HP Cummins ISX Engine, 2100• 2007 Emissions w/ Diesel Particulate Filter & Catalys Regeneration• Cummins Engine Compression Brake• Dual Polished Stainless 13" Air Cleaners• Allison 4500 RDS Automatic Transmission, 6 Speed• Chassis Frame to Heavy-Duty Specifications, 4.14 Million RBM• 20,000 lb Dana Spicer D2200F Front Axle (22,000 lb Rated Components)• 23,000 lb Front Suspension w/ Shock Absorbers• 425/65R22.5L Bridgestone M844F Front Tires• Polished Aluminum Front Wheels• 44,000 lb Rated Dana Spicer DSH44P Rear Axle w/ Pressure Lubrication• Rear Axle Gear Ratio of 4.88• 46,000 lb Hendrickson RT463 Rear Suspension w/ Transverse Track Rods• 11R22.5G Bridgestone V-Steel M711 Rear Tires• Polished Aluminum Rear Wheels• Hendrickson HLM Non-Steer Pusher Axle• 100 Gallon Fuel Tank• Air Conditioning• 123" BBC Aluminum Cab w/ Fiberglass Hood• AM/FM/WB Radio• Heated & Power Axis Mirrors• Power Windows• Air Ride Passenger's Seat• Rubber Flooring• Stainless Steel Sunvisor• LED Cab Marker Lights• 5 lb Fire Extinguisher• Cab Painted Factory GREEN• Allison Transmission 5 Year Unlimited Mileage Warranty• Cummins Engine 3 Year (300,000 mile) Warranty
1	2010 GAPVAX HV-56 INDUSTRIAL VACUUM LOADER (SERIAL NO. : HV56-0642-10) <ul style="list-style-type: none">• 5,300 CFM, 27" Hg Vacuum Blower• Noise & Vibration Dampening Mounts on Blower• Vertical Mounted Ultra Quiet Exhaust & Intake Silencers• Single Mode Wet / Dry Filtration, 6 Cyclones, 40 Filter Bags• 12" Stainless Steel Liquid Shut Off Float Ball• Easy Decon Cyclones• ½" Stainless Steel Tube Sheet for Filter Bags• 15 Cubic Yard Useable Debris Body• 20" Body Access Manway• Debris Body Semi-Circular Material Baffle w/ Surge• Full Opening Rear Tailgate• "Sure Seal" Stainless Steel Sealing Rod on Tailgate Dump Chutes• Single (1) Double-Acting Body Lift Cylinder• Heavy-Duty COTTA Transfer Case w/ Manual Override Controls

FOR SALE

GapVax Industrial Vacuum Loader

CONTACT HILPIPRE AUCTION CO. - 319-235-6007

Waterloo, Iowa

QTY	DESCRIPTION
-----	-------------

- Noise & Vibration Dampening Mounts on Transfer Case
- Stainless Steel Vee-Wire Micro Safety Screen
- Check Valve in Plenum at the Blower
- Top Loading Material Backed Body Inlet Cannon
- Three (3) Tie-Off Anchors on Top of Body, 6' Apart
- 50 Gallon Hydraulic Tank
- Heavy-Duty Electric Vibrator
- Full Length Diamond Plated Aluminum Fenders Over Rear Tires & Lift Axle
- Sealed Beam Work Lights on Tailgate
- Body Blasted, Primed, & Painted w/ PPG Fleet Urethane Paint

8" Hydraulic Boom - Telescopic Style (Tube in Tube):

- Power Up / Down
- 8' Power Extension: 16' to 22' Reach from Center of Truck
- Power Rotate: 270 Degrees
- Boom Controls: Fixed Mounted & 50' Pendant Control for Boom
Up / Down; In / Out; Left / Right; Vacuum On / Off; Throttle Up / Down
- Hydraulically Powered from Chassis Hydraulic System
- Two (2) Halogen Boom Lights

Hydro Excavation Package:

- Integral 550 Gallon Water Tank
 - 20" Manway on Water Tank
 - 2" Water Fill Line
 - 2" Anti-Siphon Fill Pipe on Top Front of Tank
 - 2 1/2" Fire Hose Connection
 - Water Level Sight Tube on Curbside
- High Pressure Water System: GIANT P435 Triplex, Rated 6.5 GPM @ 3,600 PSI
- Cold Weather Water Re-Circulation System Via Hydraulic Pump Mounted to hot Shift PTO on Allison Automatic Transmission
- 3" Water Supply Line to High Pressure Pump w/ Inline SS Safety Screen & Valve
- Cold Weather Air Purge - Pump, Regulator, & Hose Reel
- Glycol Injection System - 12 Gallon Reservoir

OPTIONS:

- 3,000.00 gals*
- UPGRADE 15 Cubic Yard Debris Tank & 550 Gallon Water Tank to SS-304L
 - Omnex Wireless Remote w/ Boom, Throttle, & Vacuum
 - ADD Remote Water On/Off to Wireless
 - 8" Safety Vacuum Relief Valve
 - Vulkan Vibration Dampener on Blower
 - Tailgate Splash Shields (Stainless Steel)
 - Liquid Load Level Indicator
 - 6" Decant w/ SS Nipple & Brass Valve
 - 4" Decant w/ SS Nipple & Brass Valve Mounted 1/2 Way Up Tailgate
 - Warning Strobe Beacon, Mounted on Rear
 - 25' Fill Hose Holder - 2 1/2"
 - Heavy-Duty 25' Grounding Cable

FOR SALE

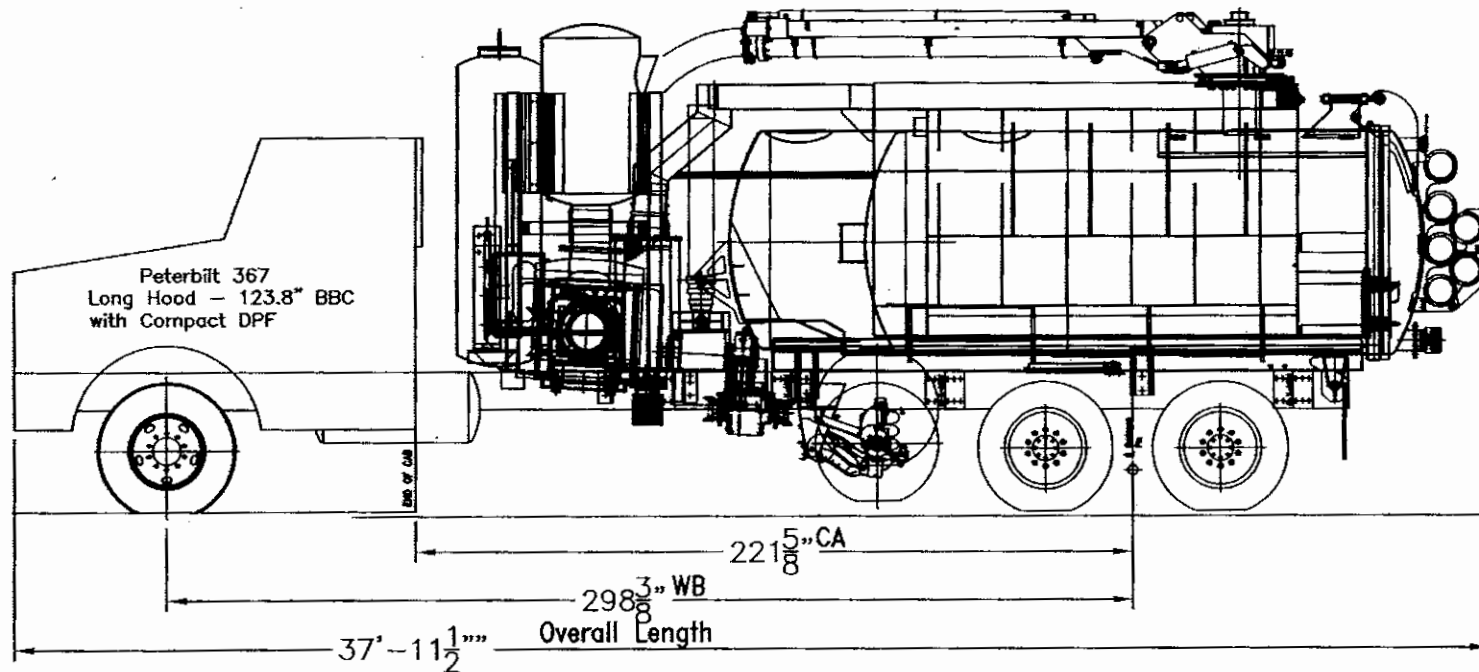
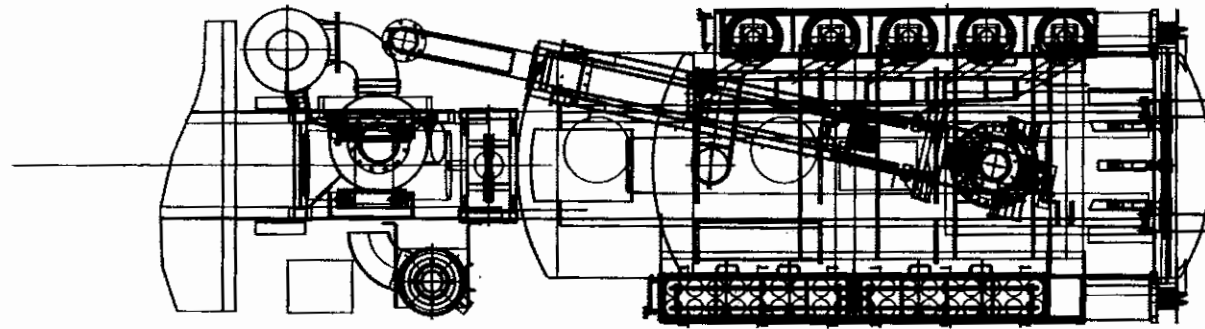
GapVax Industrial Vacuum Loader

CONTACT HILPIPRE AUCTION CO. - 319-235-6007

Waterloo, Iowa

QTY	DESCRIPTION	
-----	-------------	--

- Stainless Steel Toolbox 24" X 24" X 30" Mounted on Driver's Side
- Stainless Steel Toolbox 24" X 24" X 30" Mounted on Curb Side
- Heavy-Duty Pintle Plate w/ Dual Gusset Reinforcement
- Stainless Steel Light Boxes Upgrade
- Upgrade Stop / Tail / Turn Lights to LED
- Delfleet FDGH Two-Stage Metallic Paint Upgrade
- Fold-Down Safety Rail Package Front & Rear
- Extra Set of (40) Filter Bags for the Baghouse



NOTICE - THIS DRAWING, INCLUDING THE PRINCIPLE OF DESIGN, IS THE PROPERTY OF AND IS SUBMITTED BY GapVax, Inc. WITH THE AGREEMENT THAT IT IS NOT TO BE REPRODUCED, COPIED, OR LOANED, IN PART OR IN WHOLE. IT IS NOT TO BE USED IN ANY MANNER THAT MAY CONSTITUTE A DETRIMENT DIRECTLY OR INDIRECTLY TO GapVax, Inc. ACCEPTANCE OF THIS DRAWING WILL BE CONSTRUED AS AN AGREEMENT TO THE ABOVE. This drawing and all copies and/or all reproductions must be returned to GapVax, Inc. upon demand.

GapVax INC.
575 Central Avenue, Johnstown, PA 15902
Phone: 814-535-6766 Fax: 814-539-3617

**HV55 HydroVax - 550 Gallon
Peterbilt 367 Chassis**

DRAWN BY: B.J.B.	SCALE: NTS	MATERIAL:
DATE: 09/01/09	DRAWING: 1 OF 1	DRAWING NO. PD-266-f